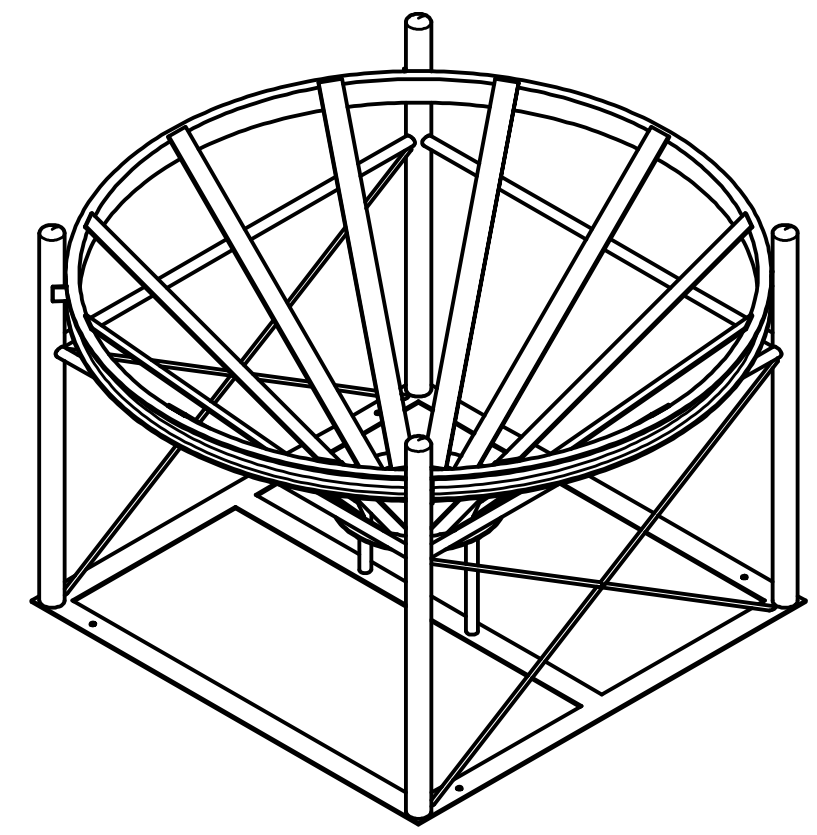
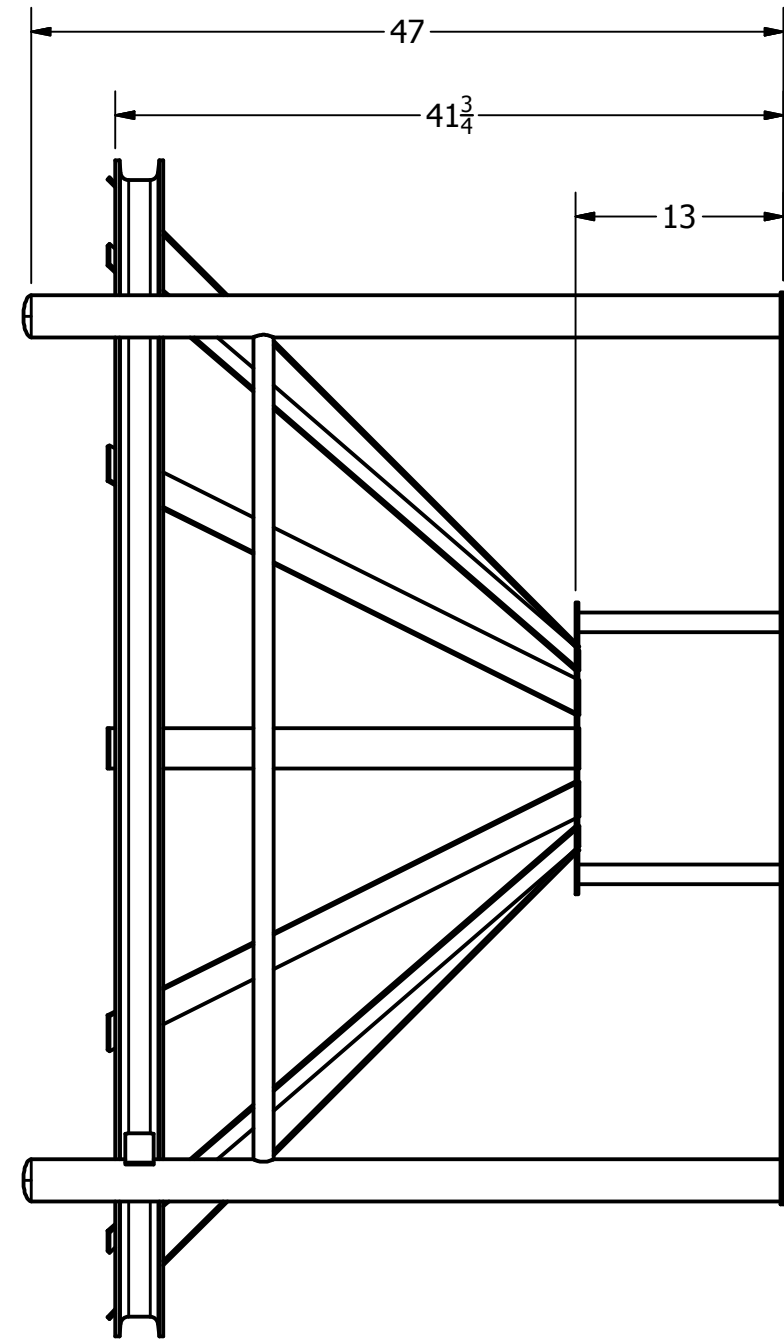



$\phi 73\frac{1}{2}$



DRAWN	Michael Holden	6/27/2013		
CHECKED			NORWESCO, INC. SAINT BONIFACIUS, MN TITLE	
QA			Steel Stand - Cone Bottom, 1000/1500-45 degree	
MFG			SIZE	DWG NO
APPROVED			B	63934
			SCALE: 1/16	REV
				SHEET 1 OF 1